



## Project In Ring Handle

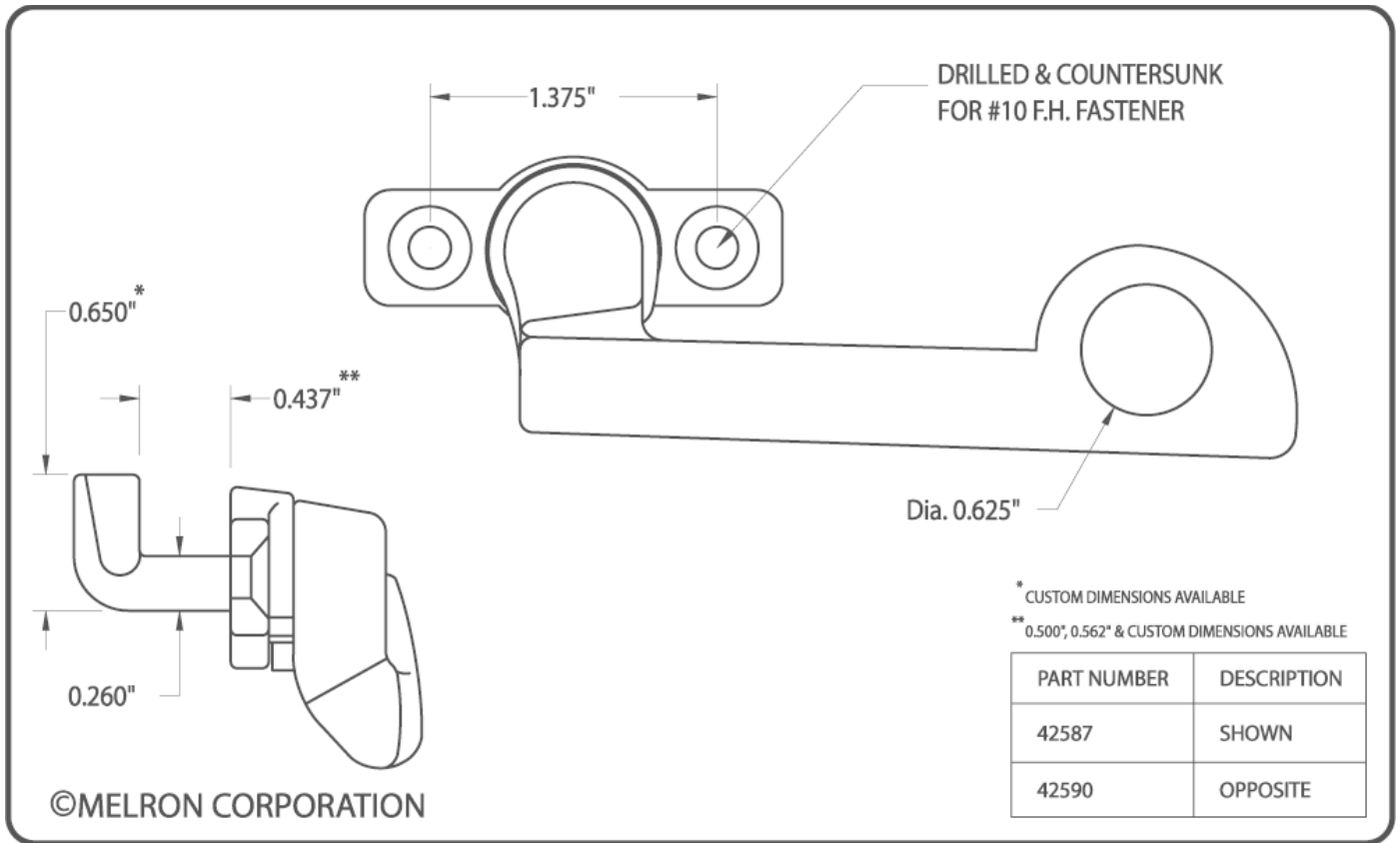


Melron bronze architectural hardware is handcrafted from start to finish in our Central Wisconsin facility. The product you choose is cast in a sand mold, tumbled, machined and finished by our small group of skilled craftspeople. The texture of the sand grains used to make the mold give our hardware its unique characteristics.

Sand cast bronze hardware embodies strength, durability and beauty that is impossible to achieve any other way.

### ALLOY AND FINISHES

This product pictured is the White Bronze alloy with the Satin finish.



For information email us at [info@melroncorp.com](mailto:info@melroncorp.com) or call 715-359-7001