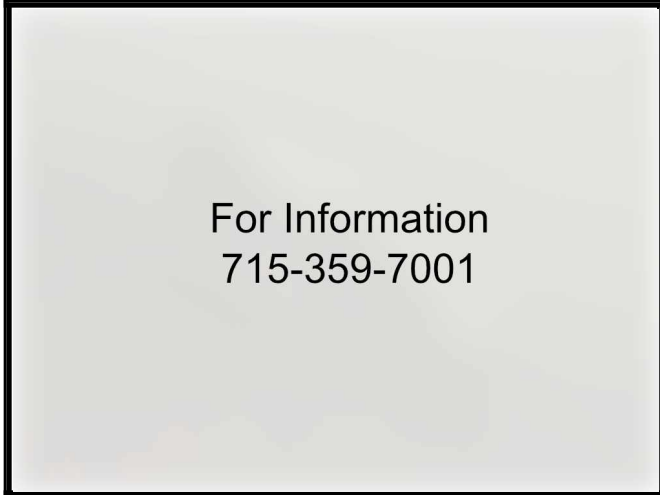




Pull Handle 4 Hole



For Information
715-359-7001

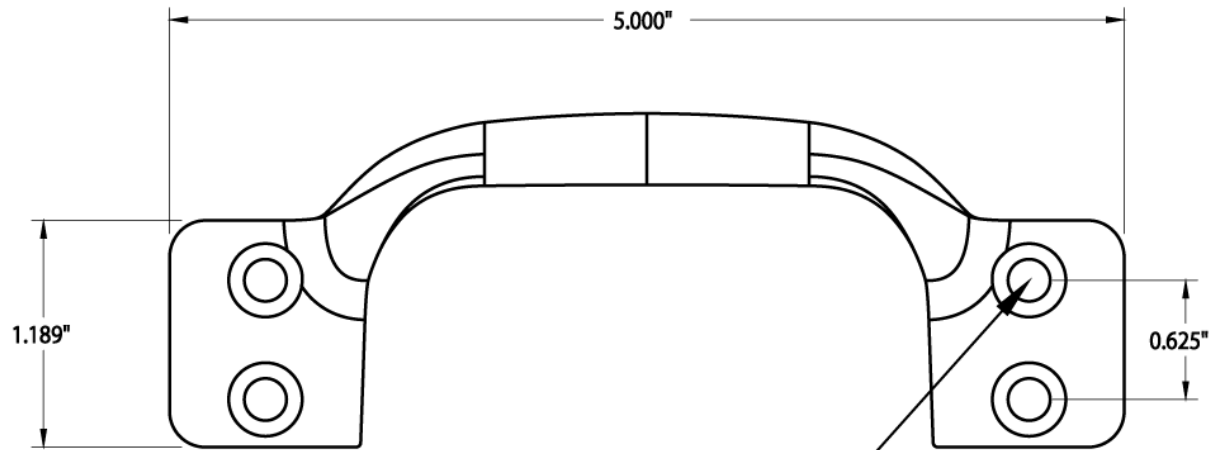
Melron bronze architectural hardware is handcrafted from start to finish in our Central Wisconsin facility. The product you choose is cast in a sand mold, tumbled, machined and finished by our small group of skilled craftspeople. The texture of the sand grains used to make the mold give our hardware its unique characteristics.

Sand cast bronze hardware embodies strength, durability and beauty that is impossible to achieve any other way.

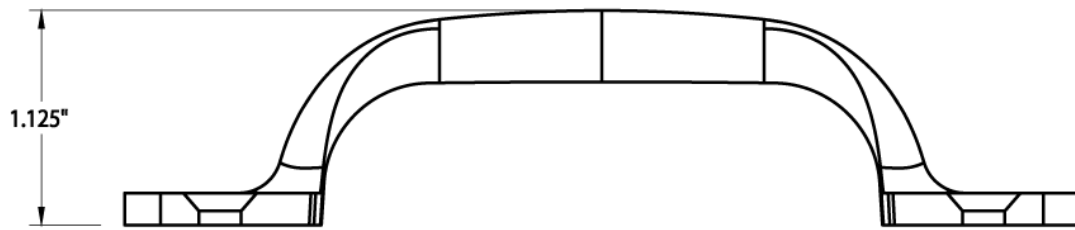
ALLOY AND FINISHES

This product pictured is the White Bronze alloy with the Satin finish.

See next page for print.



DRILL AND COUNTERSINK
FOR A #10 FASTENER



PART NUMBER	DESCRIPTION
47790	SHOWN