



## Project Out Hurricane Handle



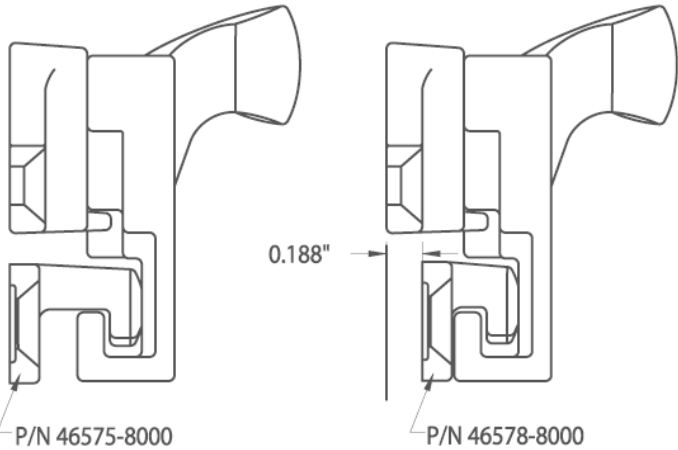
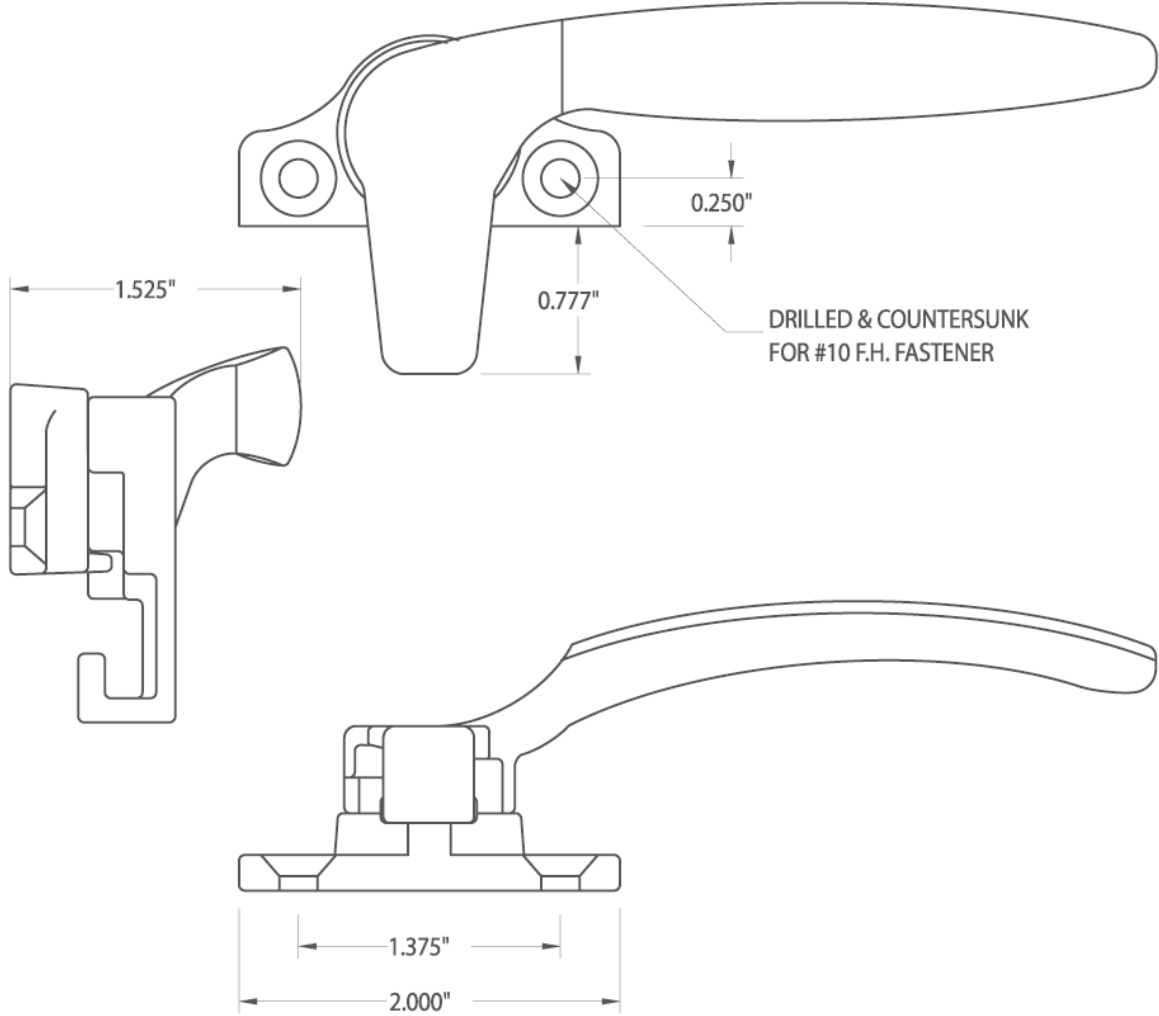
Melron bronze architectural hardware is handcrafted from start to finish in our Central Wisconsin facility. The product you choose is cast in a sand mold, tumbled, machined and finished by our small group of skilled craftspeople. The texture of the sand grains used to make the mold give our hardware its unique characteristics.

Sand cast bronze hardware embodies strength, durability and beauty that is impossible to achieve any other way.

### ALLOY AND FINISHES

This product pictured is the Stainless Steel alloy with the Satin finish.

See next page for print.



USES STRIKES:  
 46572-8000  
 46575-8000  
 46578-8000

ONLY AVAILABLE IN STAINLESS STEEL

PART NUMBER	DESCRIPTION
46500	SHOWN
46503	OPPOSITE